

AITCHISON

®

AITCHISON FERTILISER SPREADER SN 401/601

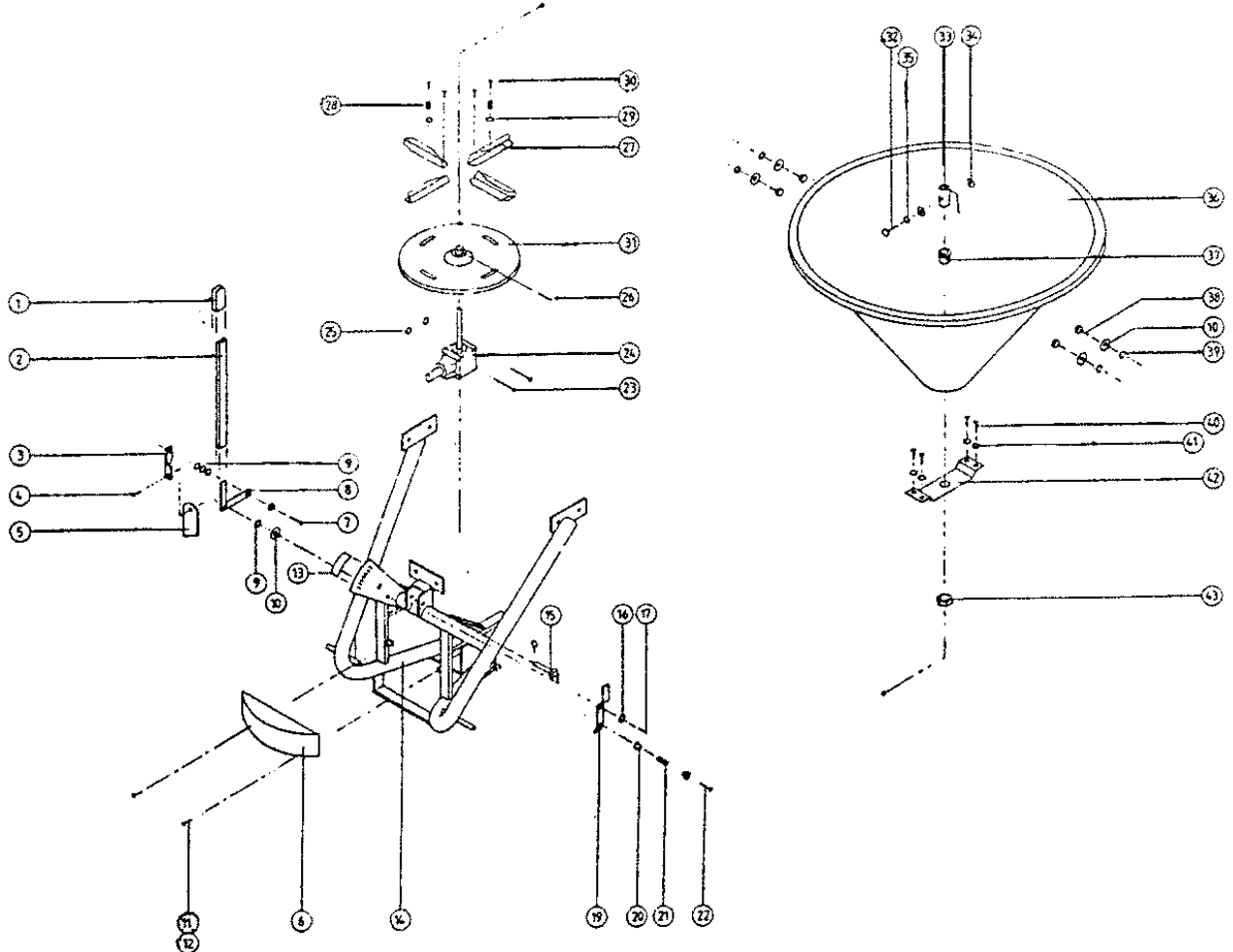
Parts Book (last updated June 2006)



REESE ENGINEERING LTD
AITCHISON INDUSTRIES

P.O.Box 5056, Palmerston North, Tel: +64 6 357 9323, Fax: +64 6 654 3155, Email: Aitchison@xtra.co.nz, Website: www.reese.co.nz





Item No.	Part No.	Description	Item No.	Part No.	Description	Item No.	Part No.	Description
1	AZ412119	Hand Grip	29	9105	Nut Nyloc M8			
2	AZ216210	Handle	30	AZ512034	Bolt M8 x 50 SS			
3	AZ216203	Aperture Lever	31	A4615	Spinning Disc			
4	AZ514004	M12 x 25 Nylon Bolt	32	AZ512034	Bolt M8 x 50 SS			
5	AZ216204	Slide	33	AZ251263	Agitator			
6	A4609	Deflector	34	9105S	Nut Nyloc M8 SS			
7	8523H	Bolt M12 x 30 ZP HT8.8	35	9031	Washer Flat M8x21odx1.5 ZP			
8	AZ251262	Handle Lever	36	AZ370039	Hopper			
9	AZ539503	M12 Nylon Nut	37	AZ490035	Bush			
10	AZ542011	M12 Nylon Washer	38	AZ514014	M12 x 35 Nylon Bolt			
11	8418H	Bolt M10 x 25 ZP HT8.8	39	542011	M12 Nylon Washer			
12	9041	Washer Spring M10 ZP	40	8523H	Bolt M12 x 30 ZP HT8.8			
13	AZ390099	Label	41	9051	Washer Flat M12x28odx1.6 ZP			
14	AZ251265	Frame	42	AZ216211	Hopper Support			
15	AZ251266	Hitch Pin	43	AZ490036	Backing Nut			
16	9121	Nut M6 Plain ZP						
17	AZ216201	Location Pin						
18	AZ370055	Lid						
19	216212	Calibration Handle						
20	9141	Nut M10 Plain ZP						
21	AZ340029	Spring						
22	8403S	Bolt M10 x 50 SS						
23	8421H	Bolt M10 x 130 ZP HT8.8						
24	A4631	Gearbox PTO						
25	9041	Washer Spring M10 ZP						
26	AZ542917	Tension Pin 8 x 50						
27	A4618	Spreader Spinning Disc Fin						
28	A4619	Spring						